



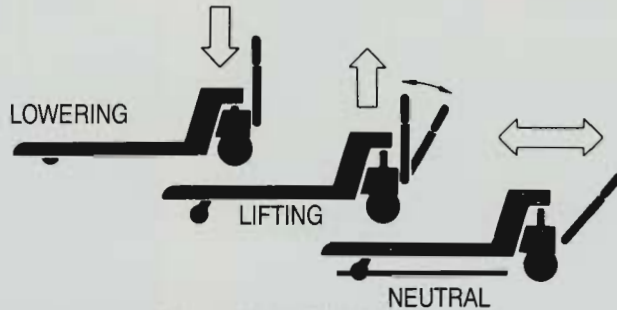
**HYDRAULIC  
PALLET TRUCK  
5500 LBS. CAPACITY**

**RUGGED    DEPENDABLE    ECONOMICAL**



### HAND LOWERING CONTROL-3 POSITIONS

LIFTING - NEUTRAL - LOWERING. NO FOOT PEDAL MEANS EXTRA SAFETY. NEUTRAL ALLOWS PUMPING AT THE MOST CONVENIENT ANGLE TO THE OPERATOR AND FREE HANDLE MOVEMENT WHEN THE TRUCK IS IN MOTION. THE HANDLE RETURNS AUTOMATICALLY TO THE VERTICAL POSITION.



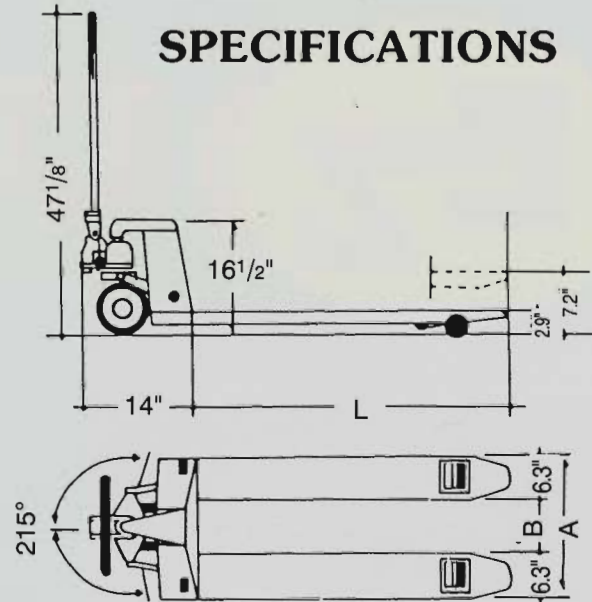
### HIGH QUALITY HYDRAULIC UNIT

THE HYDRAULIC SYSTEM IS THE RESULT OF YEARS OF RESEARCH AND DEVELOPMENT, INCLUDING A LOAD LIMITER THAT PREVENTS PREMATURE WEAR RESULTING FROM OVERLOADING. A SPECIAL DESIGN OF LOWERING VALVE PERMITS GENTLE LOWERING OF HEAVY LOADS. NO MOISTURE CAN GET INTO THE UNIT AND IT IS LEAK PROOF.

### WARRANTY

WE WARRANT THIS EQUIPMENT (UNDER NORMAL OPERATING CONDITIONS, WHICH EXCLUDES ACID AND ALKALI ENVIRONMENTS) TO BE OF PROPER MATERIALS AND FIRST CLASS WORKMANSHIP. THEREFORE, WE AGREE TO REPLACE ANY DEFECTIVE MOVING PARTS (BEARINGS AND WHEELS, AND HYDRAULIC PARTS... DOES NOT INCLUDE THE CHASSIS) RETURNED TO US (BY PREPAID FREIGHT) WITHIN TWELVE MONTHS FROM DATE OF SHIPMENT.

### SPECIFICATIONS



LOAD CAPACITY .....	5,500 LBS.
LOWERED HEIGHT OF FORKS .....	2.9 INCHES
RAISED HEIGHT .....	7.2"
OVERALL WIDTH ACROSS FORKS (A) .....	20 1/2" or 27"
FORK WIDTH .....	6.3"
SPACE BETWEEN FORKS (B) .....	8" or 14.4"
STANDARD FORK LENGTHS (L).....	36", 42", or 48"
LOAD ROLLERS.....	2.9 x 3.7"
FRONT WHEELS (STEER).....	7" x 2"
WHEELS .....	NYLON OR POLYURETHANE
BODY LENGTH (INCLUDING PUMP).....	14"
ROLLER DOWN .....	7.83"
ROLLER UP .....	9.84"
APPROXIMATE WEIGHT .....	220 LBS.

### QUALITY FEATURES

- SAFETY DESIGNED LOOP HANDLE, INCLUDES NEUTRAL POSITION, AND FINGERTIP RELEASE
- SPRING-A-MATIC HANDLE SELF RETURNS
- 215° PIVOT ACTION MANEUVERS IN COMPACT AREA
- ONE PIECE FORMED STEEL "C" CHANNEL TAPERED, REINFORCED FORKS
- LEAK-PROOF PUMP ASSURES MAINTENANCE-FREE SERVICE
- HARD CHROME-PLATED RAM AND PISTON
- URETHANE SEALS AND WIPERS
- LARGE STEER WHEELS WITH "BALL THRUST" STEERING
- SEALED BALL BEARINGS THROUGHOUT
- BEARINGS AT ALL PIVOT POINTS CAN BE LUBRICATED EASILY
- TAPERED FORK ENDS AND NYLON ROLLERS PERMIT EASY ENTRY AND EXIT OF PALLETS
- NYLON OR POLYURETHANE WHEELS AND LOAD ROLLERS AVAILABLE
- ONLY 1 SNAP RING AND 4 PINS TO REMOVE THE HYDRAULIC UNIT
- PAINTED QUALITY SAFETY COLOR AFTER ANTI-RUST TREATMENT

Distributed By:



5050 North River Road • Schiller Park, IL 60176-1092  
847/678-3450 Fax: 847/678-1750

Supplied by  
**PATTERSON LIFT TRUCKS, INC.**  
975 Industrial Pkwy. W.  
Hayward, CA 94544  
1-800-433-3827